



## Features:

- TTL-Compatible Driver
- Broad Operating Bandwidth
- Rugged Construction.
- Customization Is Available

## Specifications

### Electrical Specifications, TA = +25° C

Parameters	Min.	Typ.	Max.	Units
Frequency Range	1		20	GHz
Insertion Loss			3.5	dB
VSWR			2	
Isolation	60			dB
Switching Speed			100	nsec
CW RF Power, Operating			30	dBm
Material		Aluminum		
Finish		Gold Plating		
Input /Output Connector		SMA-Female / SMA-Female (Removable)		

※ Switching speed is defined as 50% TTL to 90% RF (t-on) and 50% TTL to 10% RF (t-off).

## Environmental Specifications

Operational Temperature (°C)	-45 ~ +85
Storage Temperature (°C)	-55 ~ +125
Vibration	25g rms (15 degree 2KHz)
Humidity	100% RH at 35c, 95%RH at 40 deg c
Shock	20G for 11msc

DC Bias: +5 V±0.5 V @ 350 mA max

-5 V±0.5 V @ 50 mA max

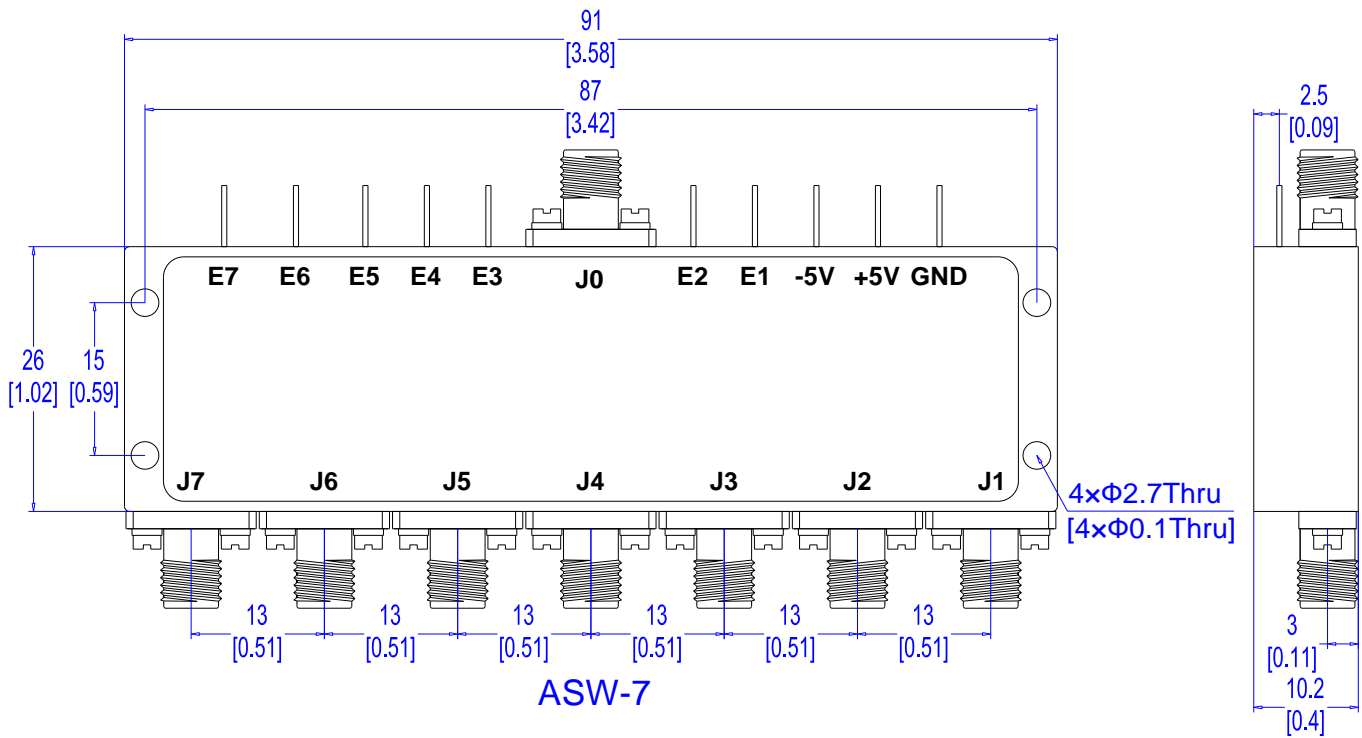
Absolute Maximum Ratings	
Biasing	+5 V , -5V
TTL Control Voltage	+5V/0V
Input RF power	+30dBm
Storage Temperature (°C)	-55 ~ +125

The information contained in this document is accurate to the best of our knowledge and representative of the part described herein. It may be necessary to make modifications to the part and/or the documentation of the part, in order to implement improvements. Amwav reserves the right to make such changes as required. Unless otherwise stated, all specifications are nominal.

# Truth Table

Control Input TTL							Signal Path State
E7	E6	E5	E4	E3	E2	E1	
1	1	1	1	1	1	0	J0-J1
1	1	1	1	1	0	1	J0-J2
1	1	1	1	0	1	1	J0-J3
1	1	1	0	1	1	1	J0-J4
1	1	0	1	1	1	1	J0-J5
1	0	1	1	1	1	1	J0-J6
0	1	1	1	1	1	1	J0-J7

# Outline Drawing:



Dimensions are in MM [inches].

Unless otherwise specified, Outline drawing +/-0.1mm; Hole +/-0.1mm.



**AMWAV Technology, Ltd.**

Website: [www.amwav.com](http://www.amwav.com)

E-mail: [sales@amwav.com](mailto:sales@amwav.com)

Tel/Fax: +86 02887492975

**TITLE**

**AWSP7TR-1-20GA**

**Notes:**

ALL SPECIFICATIONS ARE SUBJECT TO CHANGE WITHOUT NOTICE AT ANY TIME

Scale

1/1

DWG No.

REV

A