



4 Way Power Divider

AWPD4-2-40GA

Your RF & Microwave Components Source

Features:

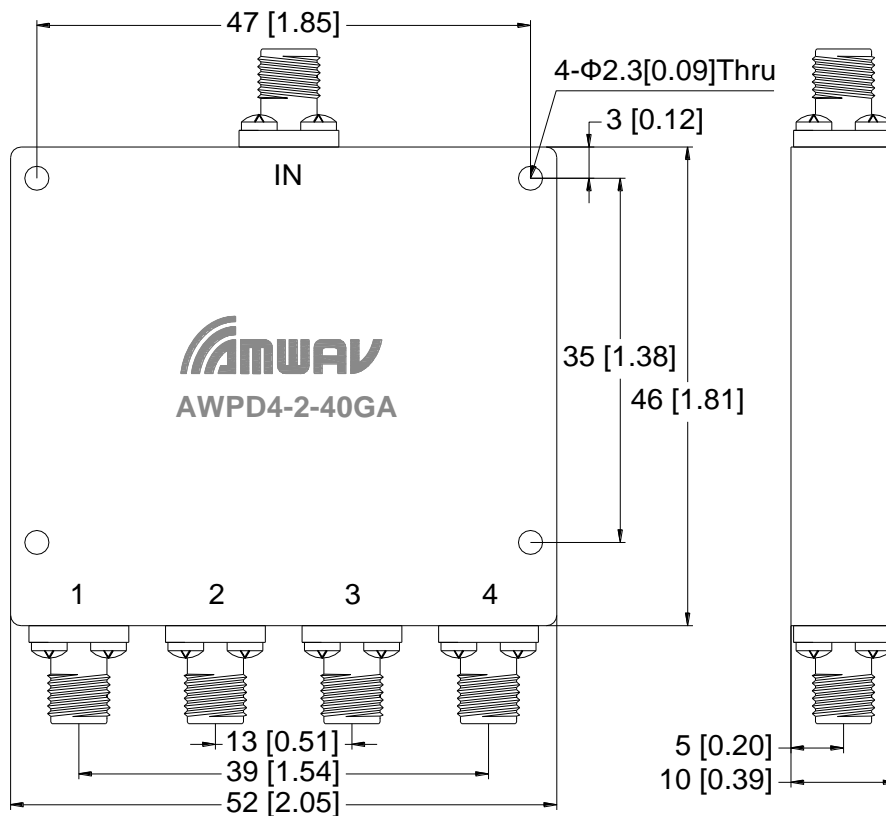
- **Broad Operating Bandwidth**
- **Small Size**
- **Cost Efficient**

Specifications

Parameters	Min.	Typ.	Max.	Units
Frequency Range	2		40	GHz
Insertion Loss		2.6	3.0	dB
Isolation	15			dB
VSWR Input			2.0:1	
VSWR Output			1.6:1	
Phase Balance			± 10	deg
Amplitude Balance			± 0.5	dB
Forward Power			20	W
Reverse Power			1	W
Operating Temperature Range	-55		+85	°C
Impedance		50		Ω
Connectors		2.92mm-Female		
Finish		Dark Navy Blue Paint		

The information contained in this document is accurate to the best of our knowledge and representative of the part described herein. It may be necessary to make modifications to the part and/or the documentation of the part, in order to implement improvements. Amwav reserves the right to make such changes as required. Unless otherwise stated, all specifications are nominal.

Outline Drawing:



1. Dimensions are in mm [Inches]
2. Tolerances: Outline drawing: ± 0.2 [0.008]
Hole: ± 0.2 [0.008]



AMWAV Technology, Ltd.

Website: www.amwav.com

E-mail: sales@amwav.com

Tel: +86 02887492975

Part No.

AWPD4-2-40GA

Note:

All SPECIFICATIONS ARE SUBJECT TO CHANGE WITHOUT NOTICE AT ANY TIME.

Scale

1:1

DWG No.

REV

A