



Directional Coupler

AWDC20-1-4GA

Your RF& Microwave Components Source

Features:

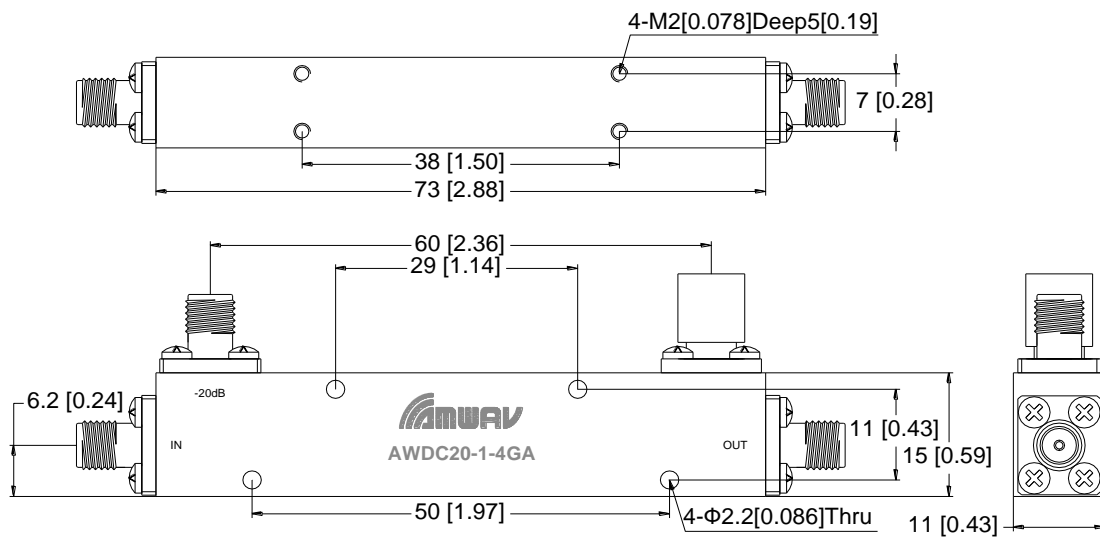
- **Compact Design**
- **High Directivity**
- **Low VSWR**

Specifications

Parameters	Min.	Typ.	Max.	Units
Frequency range	1		4	GHz
Coupling		20±1		dB
Frequency Sensitivity			±0.7	dB
Insertion Loss			0.4	dB
Directivity	20			dB
VSWR			1.2	
Input Power			50	W
Operating Temperature	-55		+85	°C
Impedance		50		Ω
Connectors		SMA-Female		
Finish		Dark Navy Blue Paint		

The information contained in this document is accurate to the best of our knowledge and representative of the part described herein. It may be necessary to make modifications to the part and/or the documentation of the part, in order to implement improvements. Amwav reserves the right to make such changes as required. Unless otherwise stated, all specifications are nominal.

Outline Drawing:



1. Dimensions are in mm [inches]
2. Tolerances: Outline drawing: ± 0.2 [0.008]
Hole: ± 0.2 [0.008]



AMWAV Technology, Ltd.

Website: www.amwav.com

E-mail: sales@amwav.com

Tel: +86 02887492975

Part No.

AWDC20-1-4GA

Note:

All SPECIFICATIONS ARE SUBJECT TO CHANGE WITHOUT NOTICE AT ANY TIME

Scale
1:1

DWG No.

REV
A