



Band Pass Filter

AWBPF-35.4-35.6GA

Your RF & Microwave Components Source

Features:

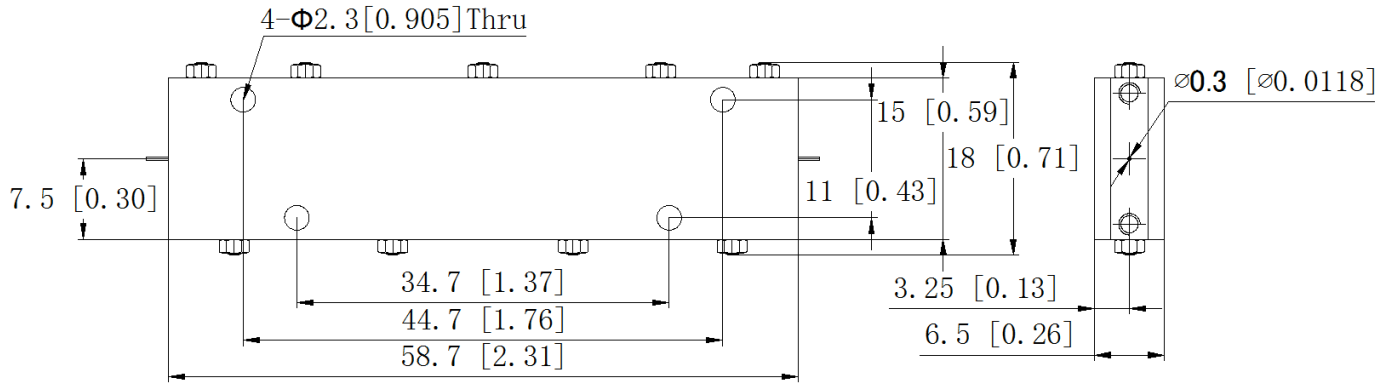
- High Rejection
- Low Insertion Loss
- Excellent Temperature Stability
- Small Size
- Customization is available

Specifications

Parameters	Min.	Typ.	Max.	Units
Frequency range	35.4		35.6	GHz
Insertion Loss			4	dB
Ripple in Pass band			±0.3	
VSWR			1.5	
Rejection @ DC-34.8GHz	70			dB
@ 36.3GHz	70			
Group Delay			20	ns
Power Handling			2	W
Operating Temperature	-45		+85	°C
Impedance		50		Ohms
Input / Output Connector		φ 0.3mm Pins		
Finish		Black Paint or Silver Plated		

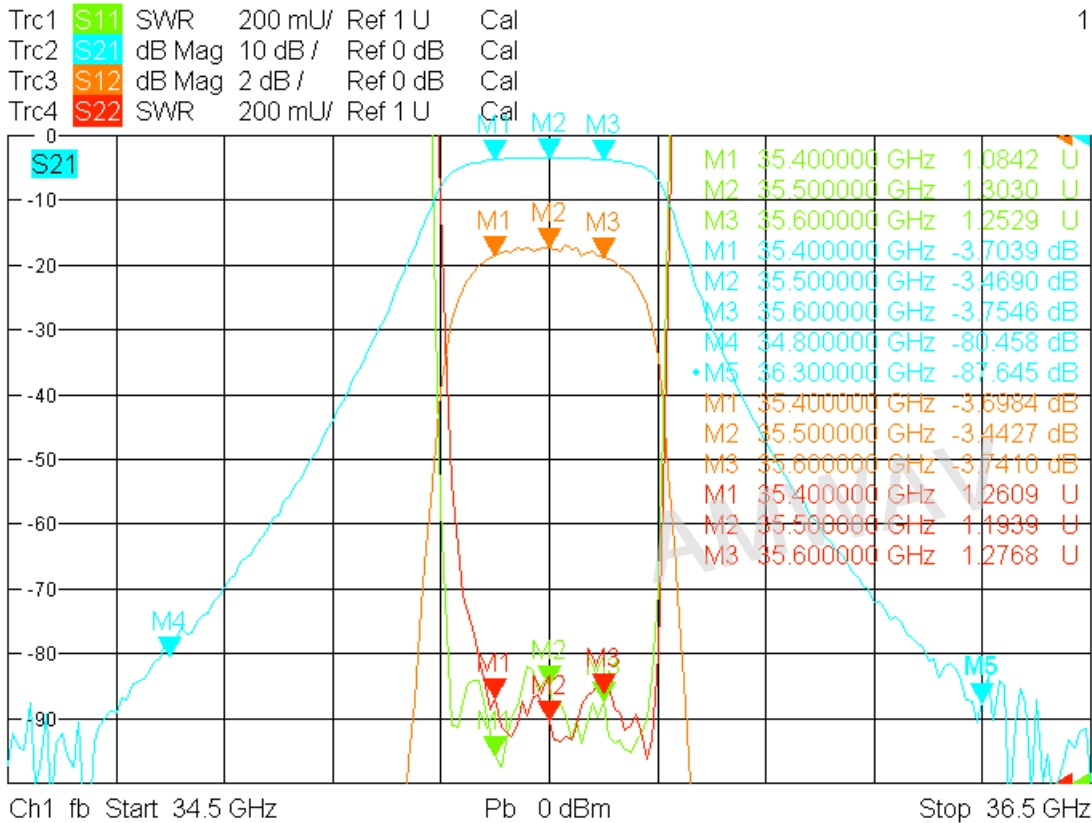
The information contained in this document is accurate to the best of our knowledge and representative of the part described herein. It may be necessary to make modifications to the part and/or the documentation of the part, in order to implement improvements. Amwav reserves the right to make such changes as required. Unless otherwise stated, all specifications are nominal.

Outline Drawing:



1. Dimensions are in mm [Inches]
2. Tolerances: Outline drawing: ± 0.2 [0.008]
Hole: ± 0.2 [0.008]

Test Curve:



2/16/2016, 3:38 AM



AMWAV Technology, Ltd.
 Website: www.amwav.com
 E-mail: sales@amwav.com
 Tel: +86 02887492975

Part No.

AWBPF-35.4-35.6GA

Note:

All SPECIFICATIONS ARE SUBJECT TO CHANGE WITHOUT NOTICE AT ANY TIME

Scale
1:1

DWG No.

REV
A